


# PRODUCT SHEET

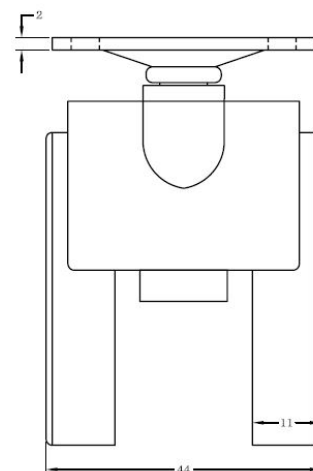
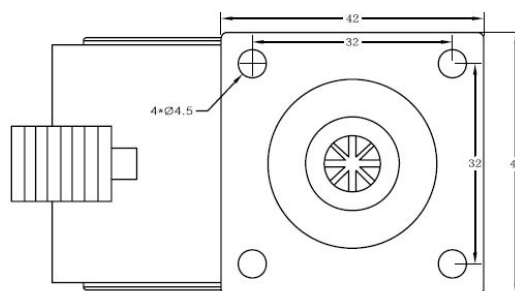
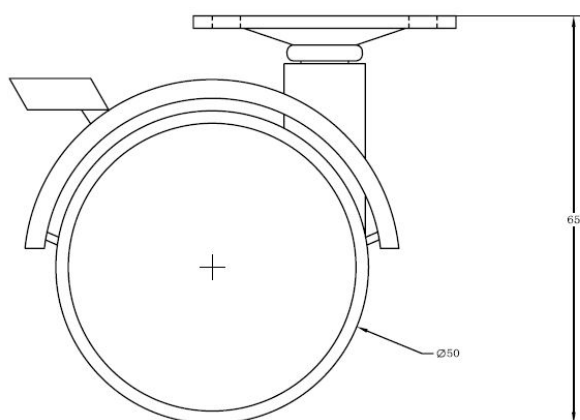
**Description:**

Twin Wheel Castor  $\varnothing 50\text{mm}$ , BLK. PA, W/Brake, Top Pl 42x42x2mm cc:32x32mm, Mounting Height: 65mm

**Item number:**

08.04.096-0

Units	Box	Carton	HS Code	Barcode
Pcs.	4	300	8302200090	 5704866005524



**SISO A/S**

Mileparken 11  
DK-2740 Skovlunde  
Denmark  
VAT: DK 24786013

Phone +45 45 830 900

[www.siso.dk](http://www.siso.dk)  
[siso@siso.dk](mailto:siso@siso.dk)

Danske Bank  
Nytorv Branch  
Copenhagen  
SWIFT: DABADKKK

Account no.  
4180 3112 112936  
IBAN Account  
DK7230003112112936